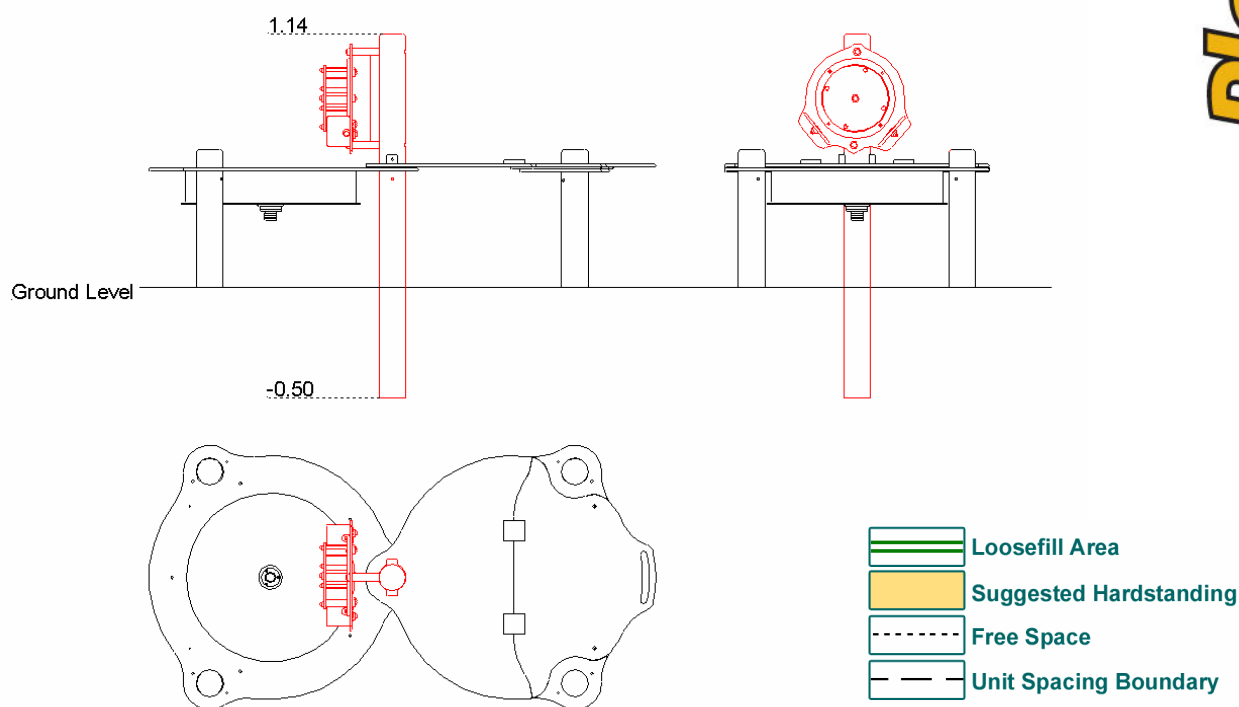


# Sand & Water - Water Wheel



## Technical Information

### Equipment Dimensions

Length / Width / Height **0.5m x 0.4m x 1.2m**

### Surfacing and Area Required

Minimum Space Required L/W/H **0.0m x 0.0m x 0.0m**

Max Gradient Of Ground **n/a**

Free Height Of Fall **000mm**

Wetpour **00.00m<sup>2</sup>**

Loosefill at 150mm **0m<sup>3</sup>**

Bark / Cushionfall / Sand

1m x 1m Rubber Tiles **n/a**

### Installation Information

Overall Weight **22kg**

Heaviest Part **15kg**

Largest Part **1.7m x 0.12m**

Longest Part **1.7m**

Concrete Required **0.03m<sup>3</sup>**