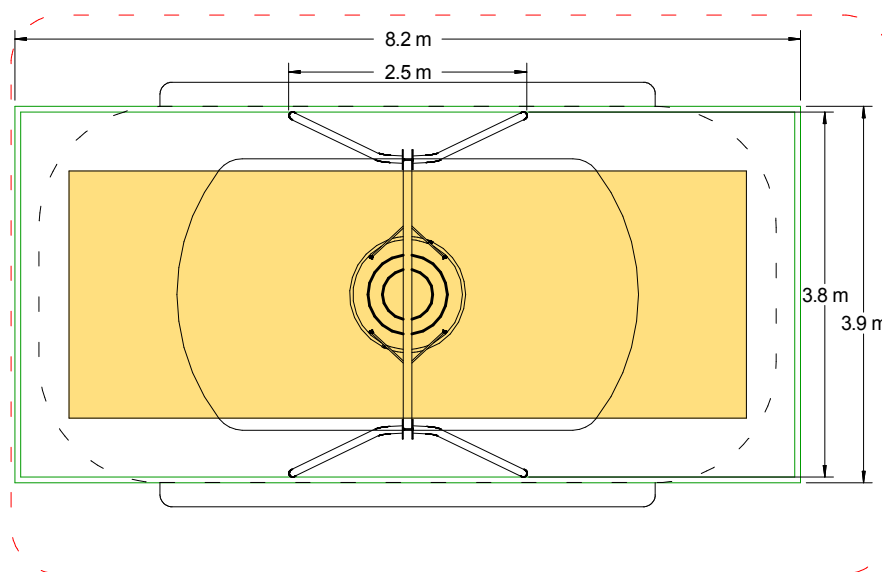
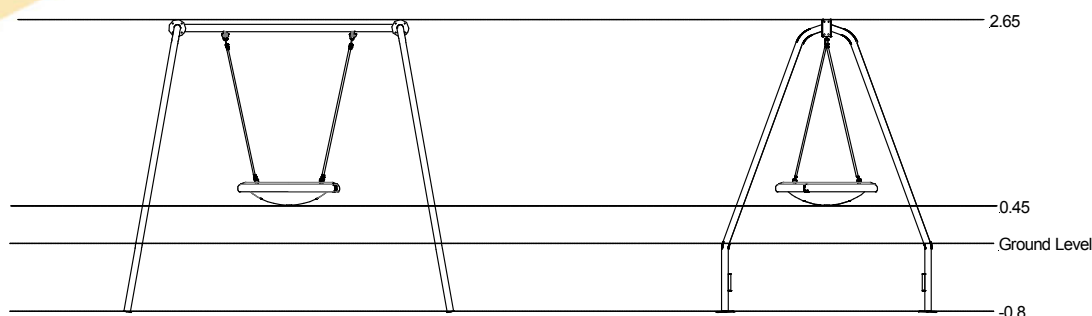


Traditional Play – Team Swing (City)



-  Loosefill Area
-  Impact Area
-  Free Space
-  Unit Spacing Boundary

Circulation Area

Technical Information

Equipment Dimensions

Length / Width / Height 3.6m x 2.5m x 2.7m

Surfacing and Area Required

Minimum Space Required L/W/H 8.2m x 3.9m x 3.9m

Max Gradient of Ground 1 in 50

Free Height of Fall 1.6m

Impact Area 17.85m²

Loosefill at 250mm 8m³

Bark / Cushionfall / Sand

GrassLok Tiles 23m²

Installation Information

Overall Weight 155kg

Heaviest Part 33kg

Largest Part 3.5m x 1.2m x 0.2m

Longest Part 3.5m

Concrete Required 0.8m³

KITEMARKED TO BS EN 1176