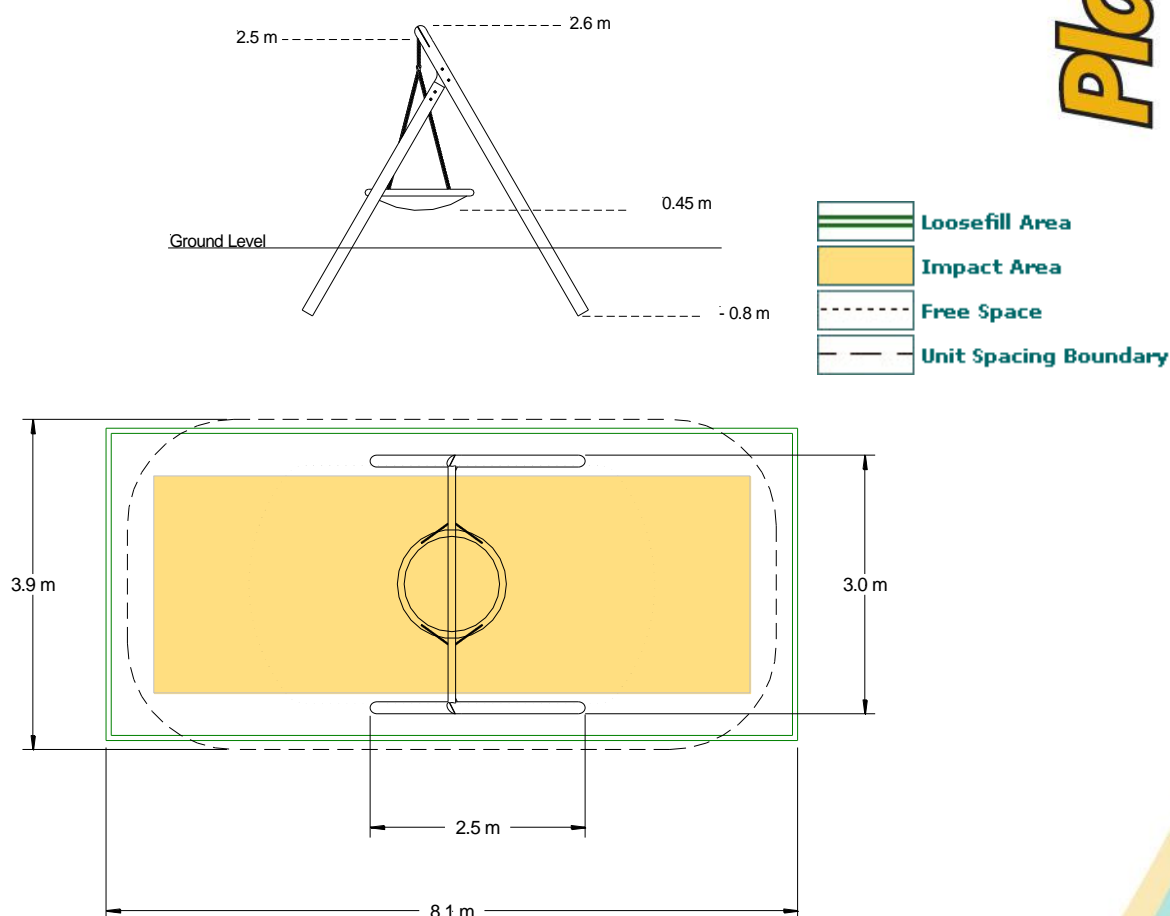


# Traditional Play – Team Swing (Timber)



## Technical Information

### Equipment Dimensions

Length / Width / Height 2.5m x 3.0m x 2.6m

### Surfacing and Area Required

Minimum Space Required L/W/H 3.9m x 8.1m x 3.8m

Max Gradient Of Ground 1 in 50

Free Height Of Fall 1.6m

Impact Area - Wetpour 17.85m<sup>2</sup>

Loosefill At 250mm 8m<sup>3</sup>

Bark / Cushionfall / Sand

Safagrass Quantity 22.5m<sup>2</sup>

### Installation Information

overall weight 132 kg

heaviest part 47 kg

largest part 3.9 x 0.37m

longest part 3.9m

concrete required 0.3m<sup>3</sup>

KITEMARKED TO BS EN 1176