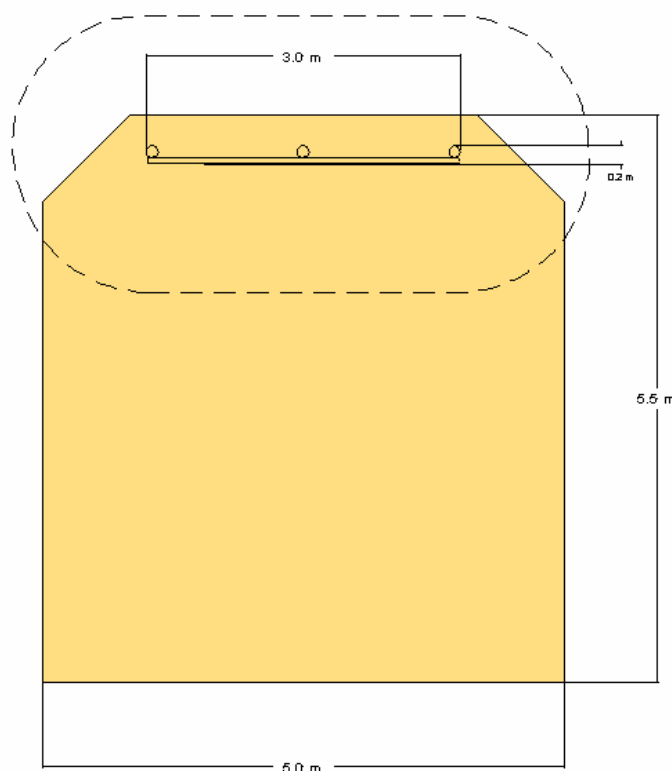
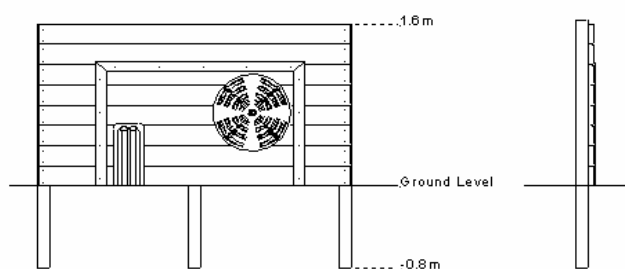


## Target Rebound Wall



### Technical Information

#### Equipment Dimensions

Length / Width / Height **3.0m x .02m x 1.6m**

#### Surfacing and Area Required

Minimum Space Required L/W/H **5.5m x 5.0m x 2.8m**

Max Gradient Of Ground **1:50**

Free Height Of Fall **n/a**

Suggested Hardstanding **5.0m<sup>2</sup>**

Loosefill at 150mm **n/a**

Bark / Cushionfall / Sand **n/a**

1m x 1m Rubber Tiles **n/a**

#### Installation Information

Overall Weight **230kg**

Heaviest Part **22kg**

Largest Part **3.0x.02x.04m**

Longest Part **3.0m**

Concrete Required **0.2m<sup>3</sup>**