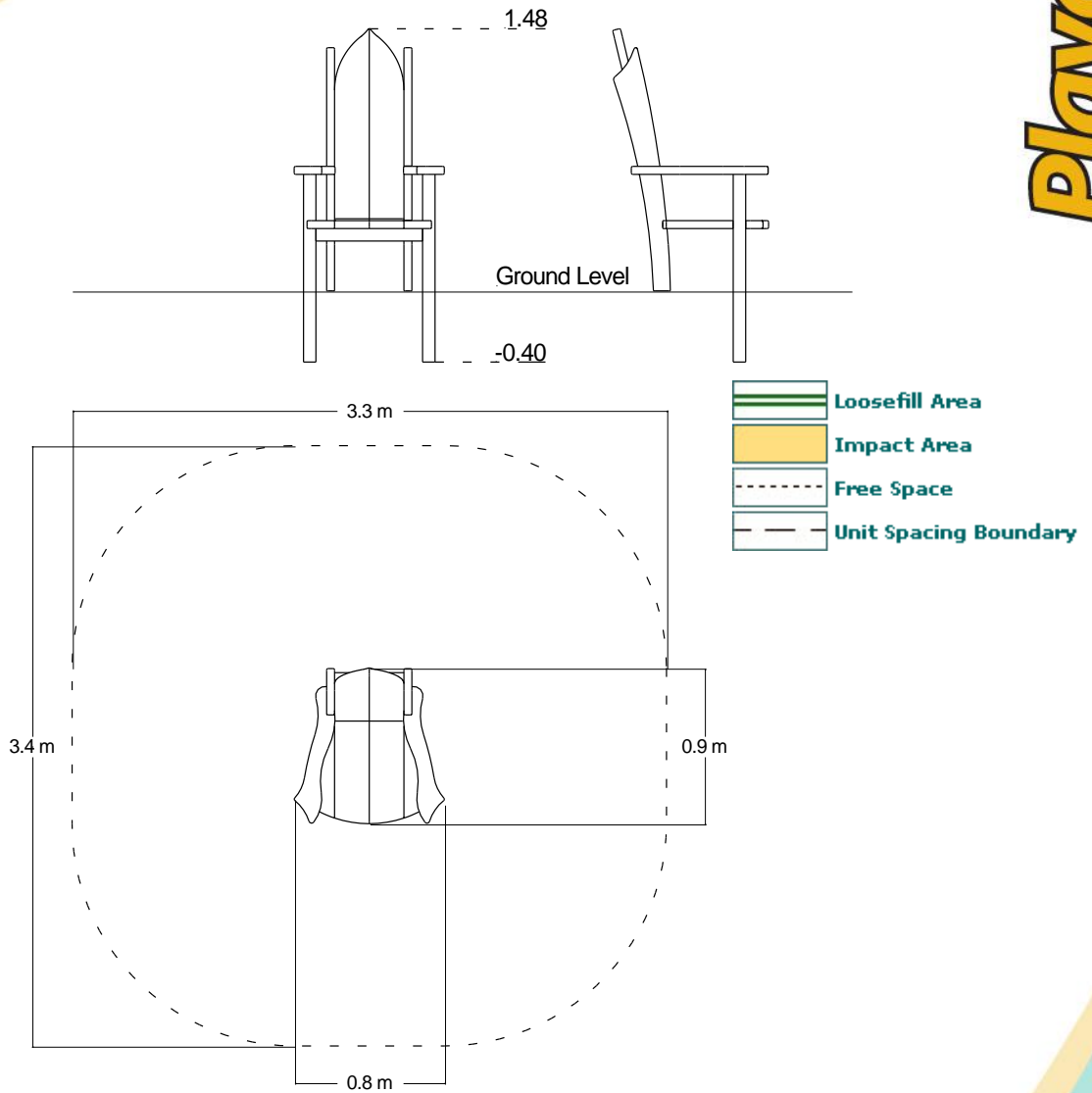


# Storytelling Chair



## **Technical Information (freestanding / ground fixed)**

### **Equipment Dimensions**

Length / Width / Height 0.9 x 0.8m x 1.5m

### **Surfacing And Area Required**

Minimum Space Required L/W/H 3.4m x 3.3m x 2.9m

Max Gradient of Ground 1 in 20

Free Height of Fall N/A

Impact Area - Wetpour N/A

Loosefill at 150mm N/A

Bark / Cushionfall / Sand N/A

1m x 1m Rubber Tiles N/A

### **Installation Information**

Overall Weight 54kg / 57kg

Heaviest Part 54kg / 57kg

Largest Part 0.9m x 0.8m x 1.5 m / 0.9m x 0.8m x 2.0m

Longest Part 1.5m / 2.0m

Concrete Required N/A / 0.072m<sup>3</sup>