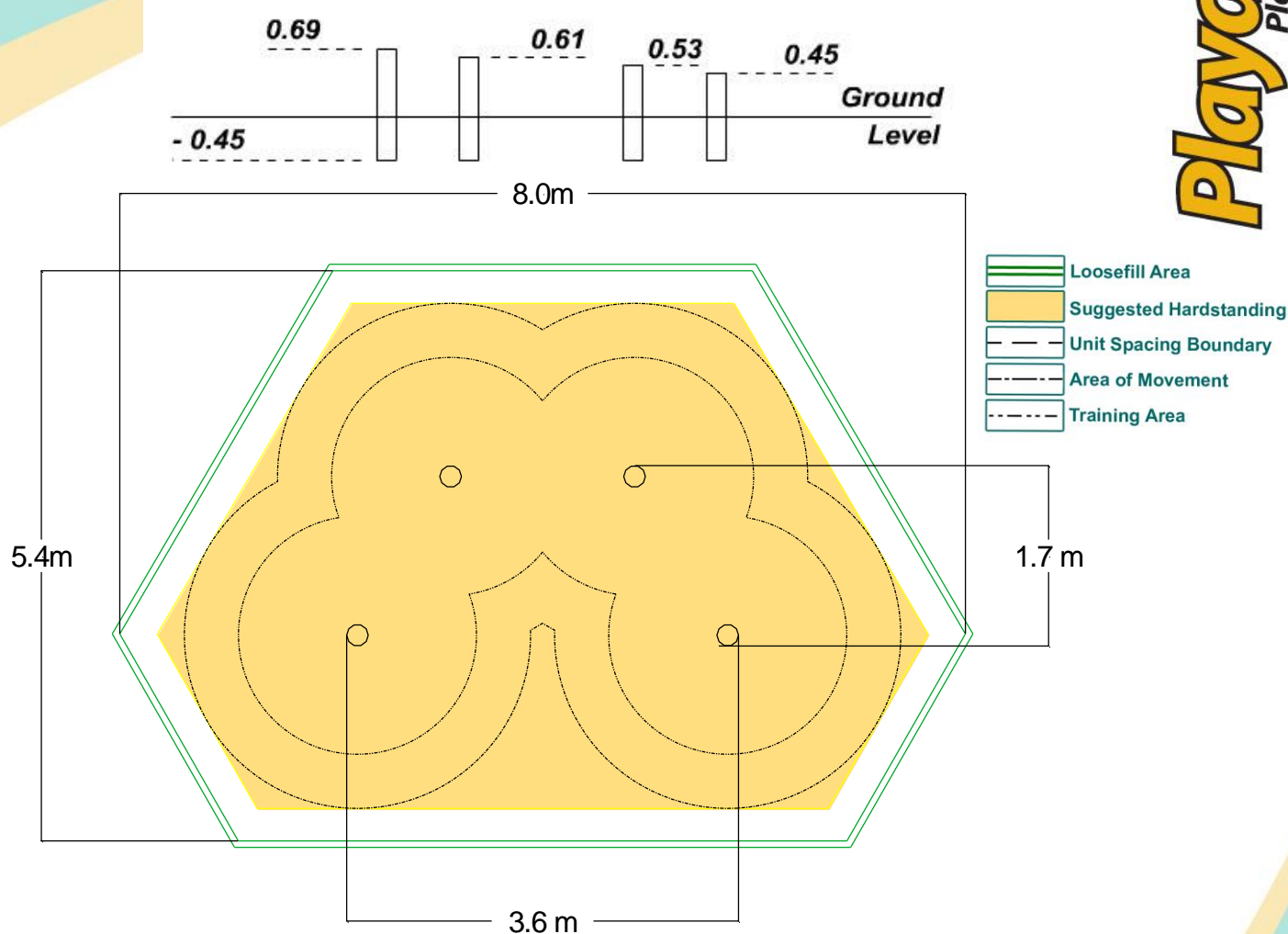


## Trim Trail – Step Ups



### Technical Information

#### Equipment Dimensions

Length / Width / Height	3.6m x 1.7m x 0.69m
Surfacing and Area Required	
Minimum Space Required L/W/H	8.0m x 5.4m x 3.2m
Max Gradient of Ground	1 in 23
Free Height of Fall	0.7m
Impact Area - Wetpour	26.26m <sup>2</sup>
Loosefill at 250mm	9m <sup>3</sup>
Bark / Cushionfall / Sand	
1m x 1m Rubber Tiles	n/a

#### Installation Information

Overall Weight	102kg
Heaviest Part	29kg
Largest Part	1.14m x 0.2m
Longest Part	1.14m
Concrete Required	0.18m <sup>3</sup>

Suitable for users aged + 14yrs old, measuring at least 1.40m in height.