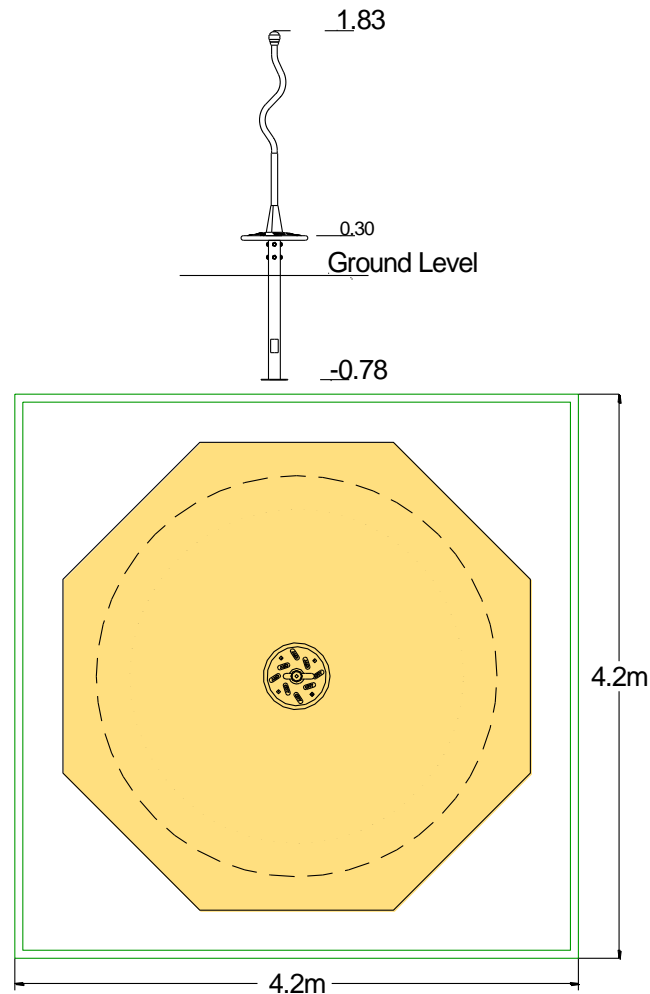


Movers – Spinner



Technical Information	
Equipment Dimensions	
Length / Width / Height	0.5m x 0.5m x 1.85m
Surfacing and Area Required	
Minimum Space Required L/W/H	4.2m x 4.2m x 3.35m
Max Gradient of Ground	1 in 50
Free Height of Fall	0.4m
Impact Area	10.15m ²
Loosefill at 150mm Bark / Cushionfall / Sand	3m ³
1m x 1m Rubber Tiles	9
Installation Information	
overall weight	40kg
heaviest part	40kg
largest part	0.5m x 0.5m x 2.7m
longest part	2.7m
concrete required	0.1m ³
KITEMARKED TO BS EN 1176	