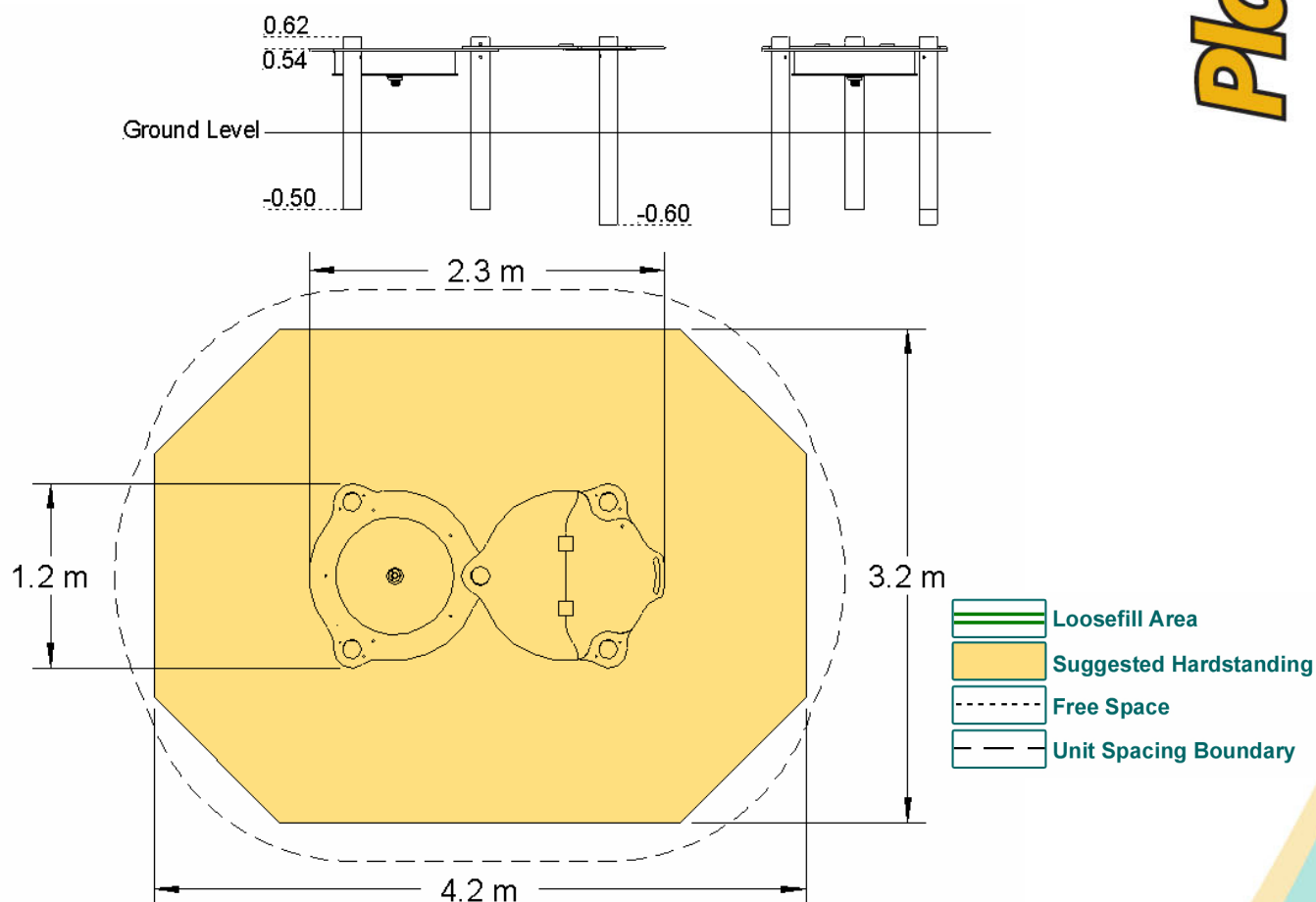


# Sand & Water - Basin with lid/play Table



## Technical Information

### Equipment Dimensions

Length / Width / Height **2.3m x 1.2m x 0.6m**

### Surfacing and Area Required

Minimum Space Required L/W/H **4.2m x 3.2m x 2.4m**

Max Gradient Of Ground **1:50**

Free Height Of Fall **0mm**

Suggested Hardstanding **12.1m<sup>2</sup>**

### Installation Information

Overall Weight **100kg**

Heaviest Part **10kg**

Largest Part **1.2m**

Longest Part **1.2m**

Concrete Required **0.18m<sup>3</sup>**