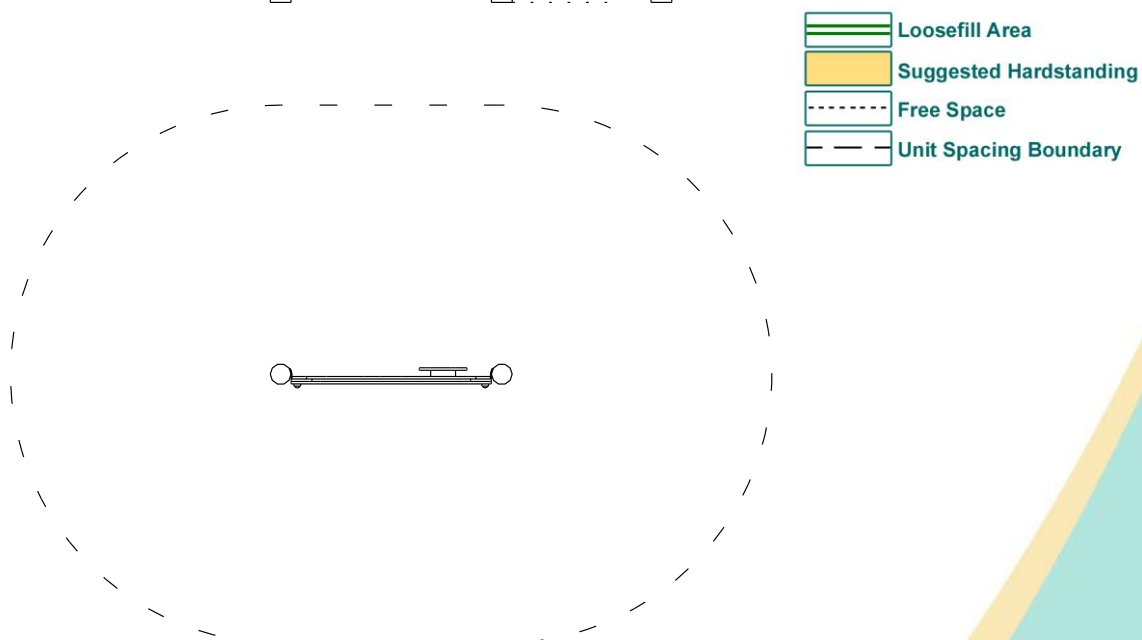
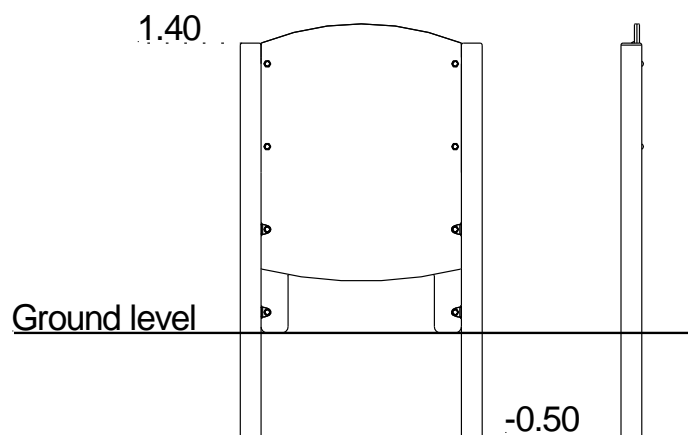


# School Play Panels – Vehicle Panel Freestanding



## Technical Information

Equipment Dimensions	
Length / Width / Height	1.2m x 0.3m x 1.5m
Surfacing and Area Required	
Minimum Space Required L/W/H	1.8m x 2.5m x 2.0m
Max Gradient Of Ground	1:20
Free Height Of Fall	n/a
Suggested Hardstanding	n/a
Installation Information	
Overall Weight	58kg
Heaviest Part	34kg
Largest Part	1.5m x 1.0m x 0.2m
Longest Part	1.9m
Concrete Required	0.07m <sup>3</sup>