

PlayClean Lite Automatic Hand Sanitiser Station



Materials
Compact Grade Laminate (CGL)
Stainless Steel (304)
Powder Coated Mild Steel

Product Description

- Non-Touch Automatic Hand Sanitiser
- Sprays on Both Sides of Hands
- Capable of 2500+ uses per 2.5L of Sanitiser
- Includes 2.5L of Sanitiser
- Operated by 2 No. Rechargeable 15Ah Batteries
- 7-day battery life*
- 2 No. Spare Batteries & Battery Charger included
- Vandal Resistant
- Fully Weatherproof
- Easy Maintenance & Monitoring
- **For Use with Playdale Recommended Sanitiser Only**

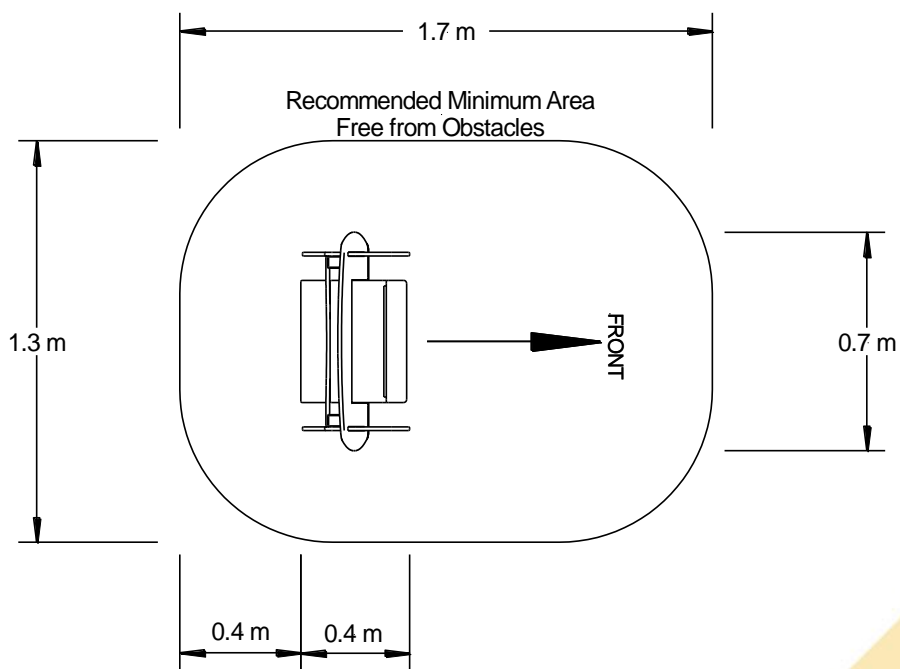
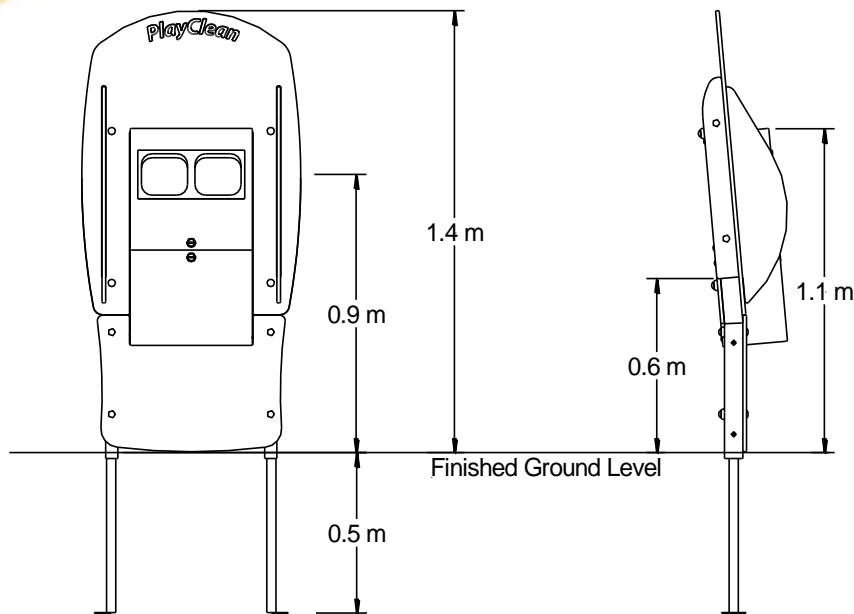
*based on 40 sprays per hour, 8 hours per day

Fixing Options

- Steel Ground Fixed
- Surface Fixed
- Free Standing (*NOT SUITABLE FOR UNSUPERVISED AREAS*)

Technical Information		
Equipment Dimensions		
Length / Width / Height	0.7 x 0.4m x 1.4m	
Surfacing and Area Required		
Recommended Minimum Area Free from Obstacles L/W/H	1.3m x 1.7m x 2.6m	
Installation Information		SF
		SF (if different)
Installation Time	2 Persons 2 Hours	
Overall Weight	90kg	
Heaviest Part	20kg	
Largest Part	0.7m x 0.6m x 0.3m	
Longest Part	1.2m	
Concrete Required	0.072m ³	0.1m ³

[Click here for more information & downloads](#)



[Click here for more information & downloads](#)

