

# Upbeat – Nimble Plus



**A junior tower system comprising of:**

- Square Tower (2.8m)
- Square Tower (1.9m)
- Tube Slide (2.8m )
- Climbing Wall (1.9m)
- Rope Ramp (1.9m)
- Twisted Scramble Net (1.9m)
- Upbeat Ramp Link
- Lookout Tower
- Square Tower Roof
- Upbeat Seat
- Bubble Play Panel

-  Option A- Dark Blue/Yellow (Shown)
-  Option B- Purple/Lime Green
-  Option C- Green

<b>Code – JB/NIM/*1</b>	
<b>Age</b>	
5-12 years	
<b>Materials</b>	
Laminated Timber	
Compact Grade Laminate (CGL)	
Galvanised or Painted Mild Steel	
Nylon Steel Cored Rope	
LLDPE Slide	
Various Plastic Mouldings	

## Technical Information

### Equipment Dimensions

Length / Width / Height **7.1m x 2.4m x 5.3m**

### Surfacing and Area Required

Recommended Minimum Space L/W/H **10.5m x 6.4m x 6.5m**

Max Gradient of Ground **1 in 50**

Free Height of Fall **2.8m**

Impact Area **47.28m<sup>2</sup>**

Synthetic Area (i.e. EPDM / Wet Pour / Synthetic Grass etc.) **47.09m<sup>2</sup>**

Loosefill at 350mm (i.e. Bark / Cushionfall / Sand) **19m<sup>3</sup>**

GrassLok Tiles **60m<sup>2</sup>**

### Installation Information

Steel Ground Fixed

Surface Fixed (if different)

Installation Time **2 Person(s) 11 Hour(s)**

Overall Weight **1003kg**

Heaviest Part **95kg**

Largest Part **3.5m x 2.2m x 2.2m**

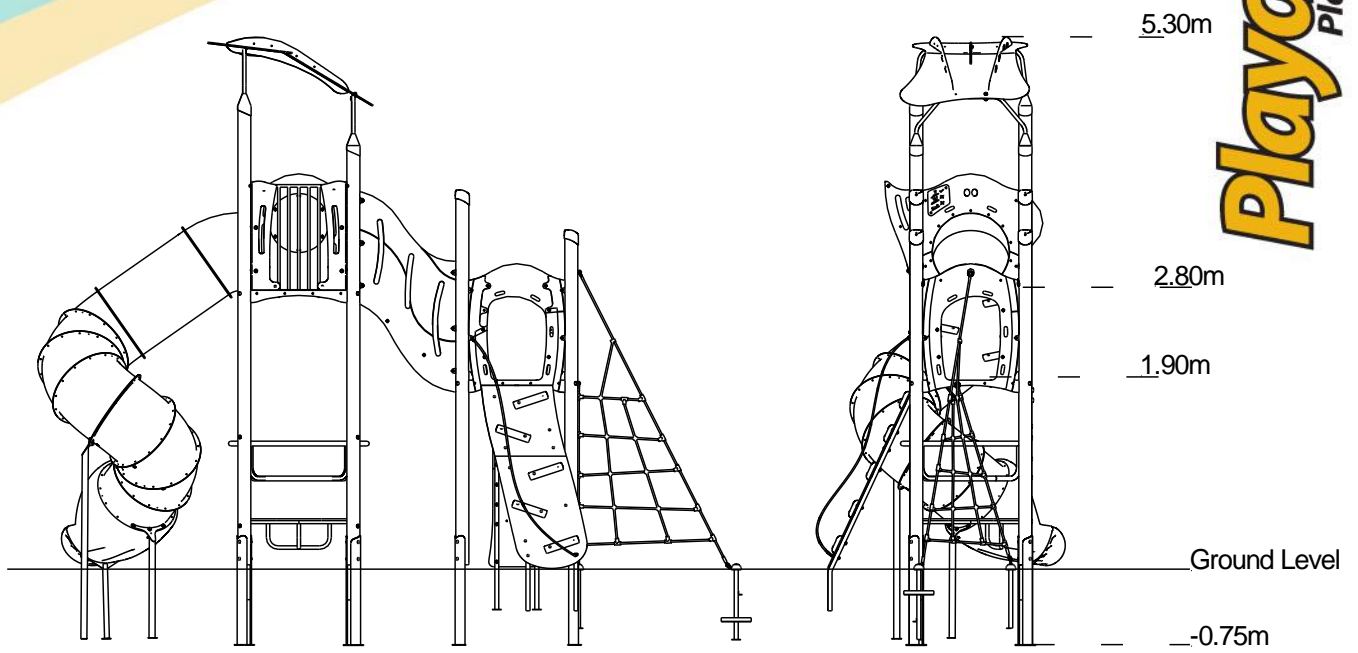
Longest Part **4.6m**

Concrete Required **0.8m<sup>3</sup>**

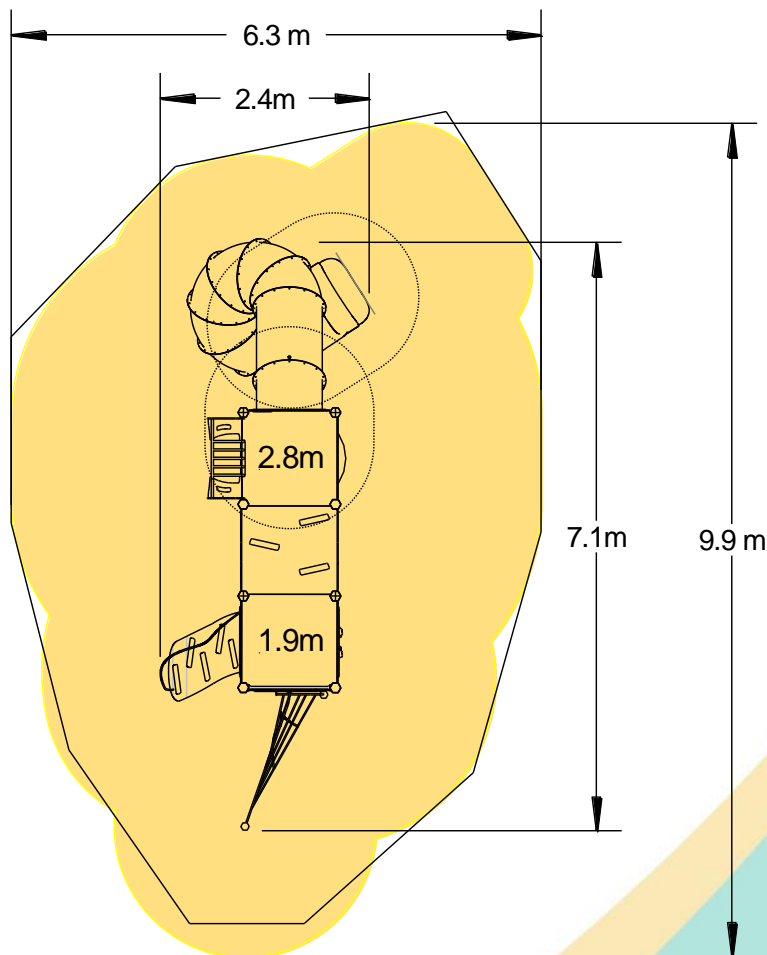
Certified to EN 1176

[Click here for more information & downloads](#)





- Impact Area
- Free Space
- Synthetic Area



[Click here for more information & downloads](#) 