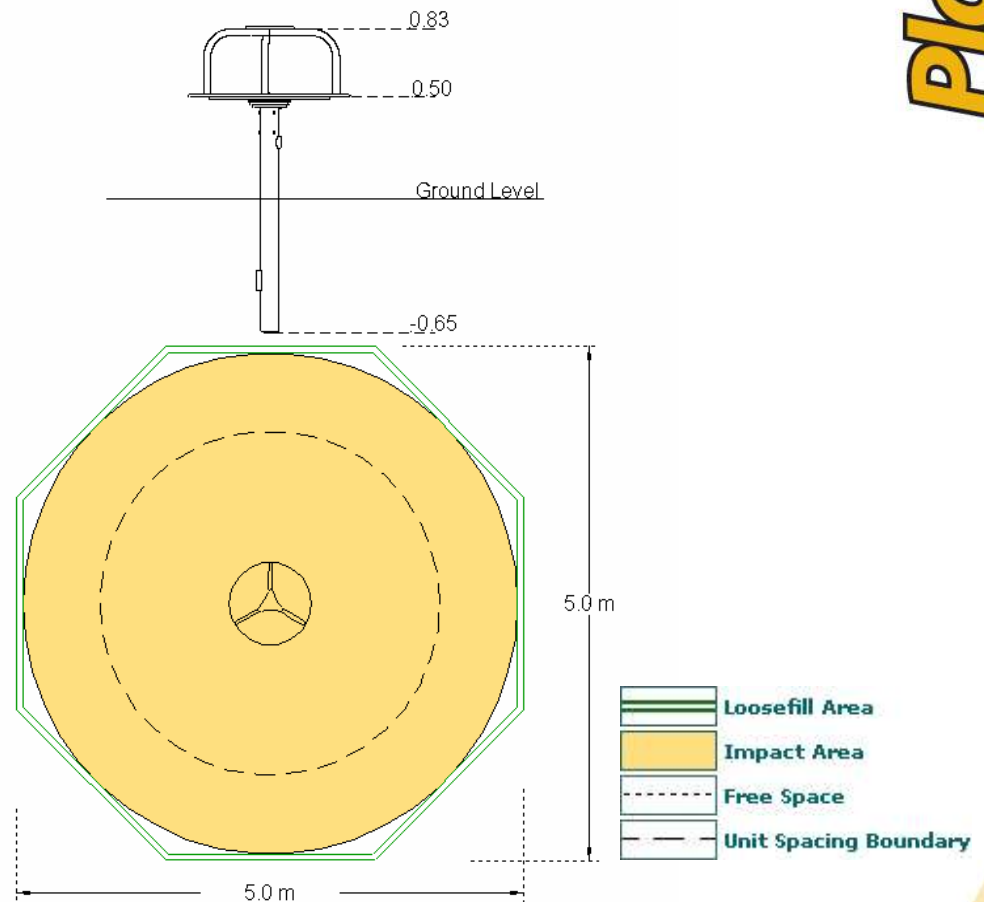


# Movers – Mini Orbiter



## Technical Information

### Equipment Dimensions

Length / Width / Height **0.8m x 0.8m x 0.8m**

### Surfacing and Area Required

Minimum Space Required L/W/H **5m x 5m x 2m**

Max Gradient of Ground **1 in 50**

Free Height of Fall **1.0m**

Impact Area - Wetpour **19.09m<sup>2</sup>**

Loosefill at 150mm **5 m<sup>3</sup>**

Bark / Cushionfall / Sand **n/a**

1m x 1m Rubber Tiles **n/a**

### Installation Information

Overall Weight **32kg**

Heaviest Part **14kg**

Largest Part **1.04m x 0.2m x 0.2m**

Longest Part **1.04m**

Concrete Required **0.1m<sup>3</sup>**



KITEMARKED TO BS EN 1176