

Jukebox – Heavy Metal Plus



 Option A-
Dark Blue/Yellow

 Option B-
Purple/Lime Green

 Option C-
Green
(Shown)

A junior tower system comprising of:

- 3 x Square Towers (1.5m)
- Square Tower (1.9m)
- Tube Slide (1.9m)
- Fireman's Pole (1.5m)
- Inverted Climber (1.5m)
- Climbing Wall (1.9m)
- Rope Ramp (1.5m)
- Rope Climb (1.5m)
- Twisted Scramble Net (1.5m)
- Ring Crawl Tunnel
- Arched Tunnel
- Net Tunnel
- Bridge
- Inclined Bridge
- Inclined Net Pit
- Climber with Fireman's Pole (1.5m)

Code – JB/HEA/*1

Age
5-12 years
Materials
Laminated Timber
Compact Grade Laminate (CGL)
Galvanised or Painted Mild Steel
Nylon Steel Cored Rope
LLDPE Tube Slide
Stainless Steel
Sawn Timber
Various Plastic Mouldings

Technical Information

Equipment Dimensions

Length / Width / Height **7.9m x 5.8m x 3.8m**

Surfacing and Area Required

Recommended Minimum Space
L/W/H **11.8m x 9.5m x 5.0m**

Max Gradient of Ground **1 in 50**

Free Height of Fall **1.9m**

Impact Area **78.2m²**

Synthetic Area
(i.e. EPDM / Wet Pour / Synthetic Grass etc.) **76.09m²**

Loosefill at 250mm
(i.e. Bark / Cushionfall / Sand) **24m³**

GrassLok Tiles **94m²**

Installation Information

Steel Ground Fixed

Surface Fixed
(if different)

Installation Time **2 Person(s) 26 Hour(s)**

Overall Weight **1749kg**

Heaviest Part **70kg**

Largest Part **3.8m x 1.0m x 2.6m**

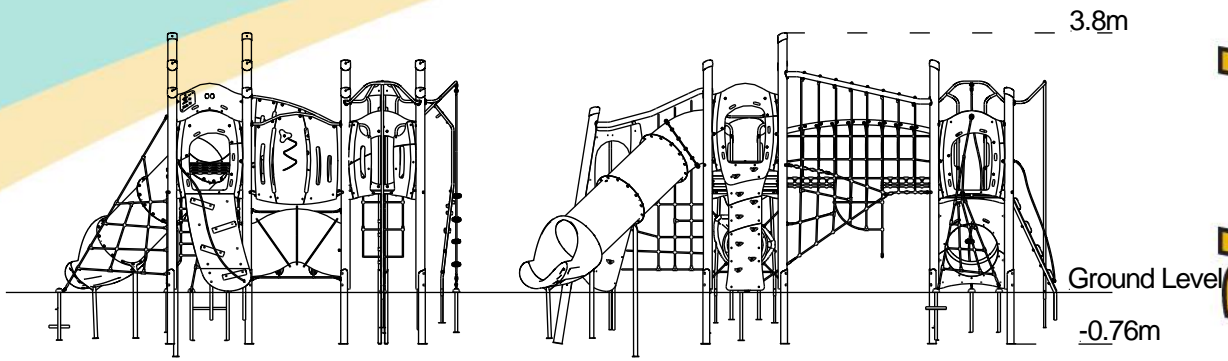
Longest Part **3.7m**

Concrete Required **1.9m³**

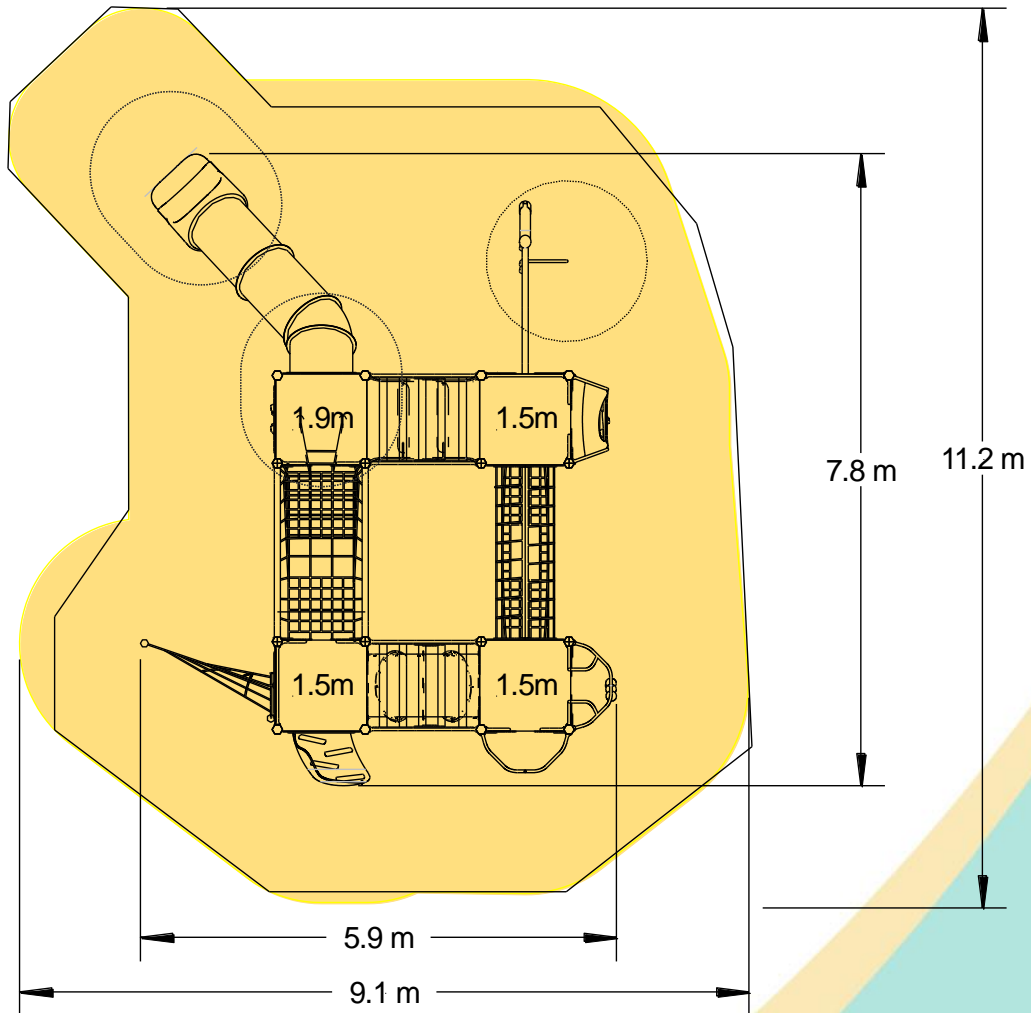
Certified to EN 1176

[Click here for more information & downloads](#)





-  Impact Area
-  Free Space
-  Synthetic Area



[Click here for more information & downloads](#) 