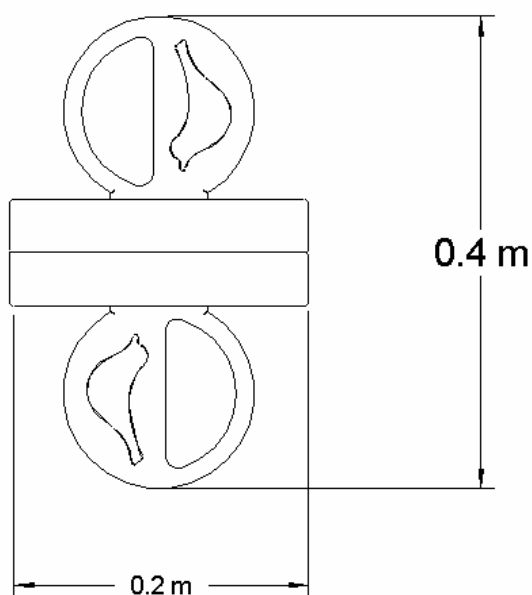
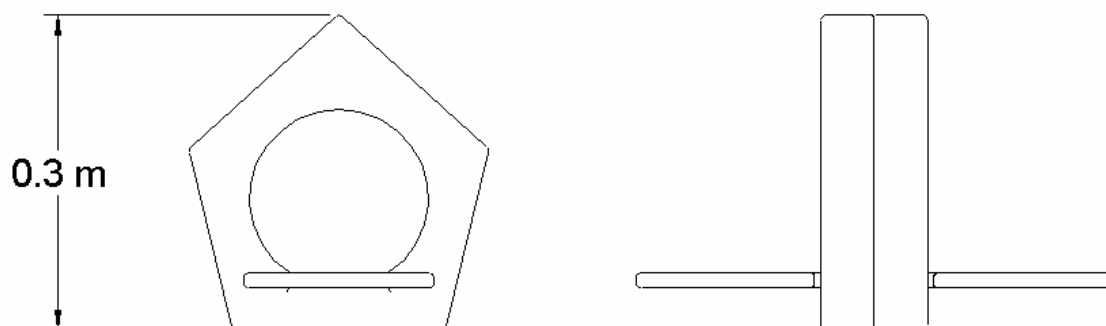


Hanging Bird Table Small



Technical Information

Equipment Dimensions

Length / Width / Height **0.4m x 0.2m x 0.3m**

Surfacing and Area Required

Minimum Space Required L/W/H **n/a**

Max Gradient Of Ground **n/a**

Free Height Of Fall **0mm**

Hardstanding **n/a**

Installation Information

Overall Weight **n/a**

Heaviest Part **n/a**

Largest Part **n/a**

Longest Part **n/a**

Concrete Required **n/a**