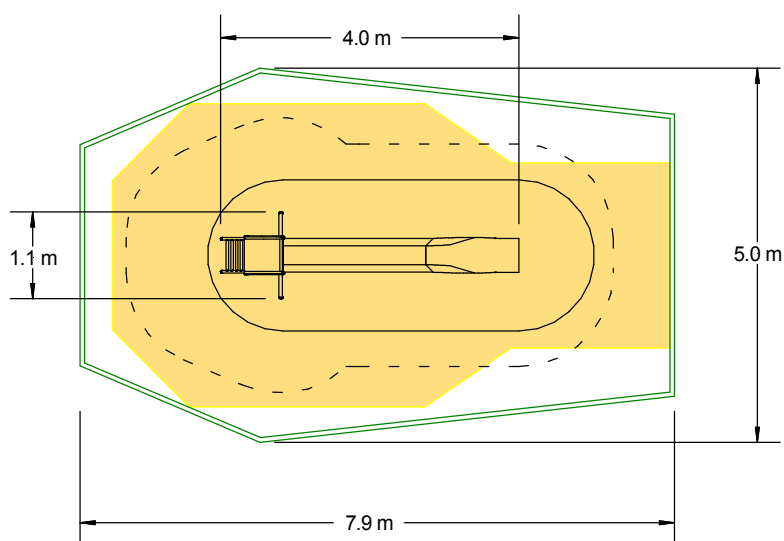
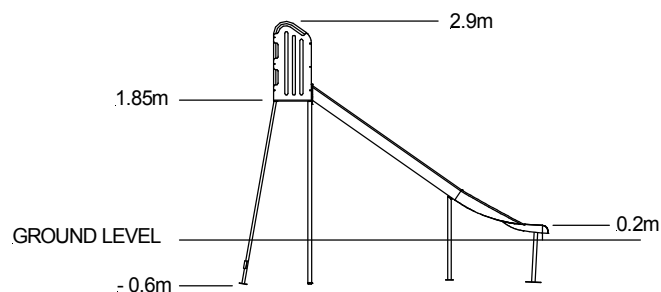


Traditional Play – Free Standing Slide (1.85m)



Technical Information

Equipment Dimensions

Length / Width / Height 4.0 x 1.1 x 2.9m

Surfacing and Area Required

Minimum Space Required L/W/H 7.9 x 5.0 x 4.1m

Max Gradient Of Ground 1:50

Free Height Of Fall 1.85m

Impact Area 24.40m²

Loosefill At 250mm 8m³

Bark / Cushionfall / Sand

Safagrass Tiles (1.0 x 1.5m tiles) 37.5m²

Installation Information

overall weight 114kg

heaviest part 44kg

largest part 3.8 x 0.6 x 0.4m

longest part 4.0m

concrete required 0.4m³

KITEMARKED TO BS EN 1176