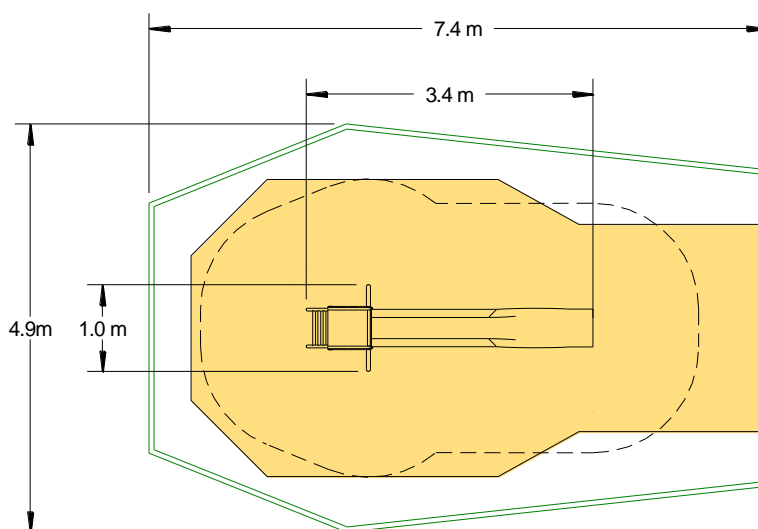
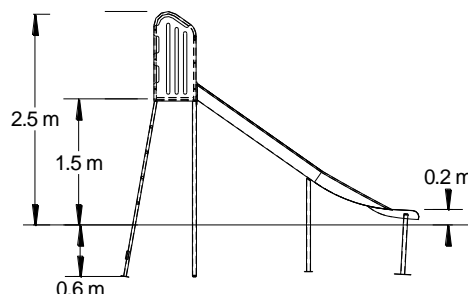


Traditional Play – Free Standing Slide (1.5m)



-  Loosefill Area
-  Impact Area
-  Free Space
-  Unit Spacing Boundary

Technical Information

Equipment Dimensions

Length / Width / Height 3.4 x 1.0 x 2.6m

Surfacing and Area Required

Minimum Space Required L/W/H 7.4 x 4.9 x 3.8m

Max Gradient Of Ground 1:50

Free Height Of Fall 1.5m

Impact Area 20.09m²

Loosefill At 250mm 8m³

Bark / Cushionfall / Sand 30m²

Grasslok Tiles 30m²

Installation Information

Overall Weight 103kg

Heaviest Part 38kg

Largest Part 2.4 x 0.2 x 0.4m

Longest Part 4.0m

Concrete Required 0.4m³

KITEMARKED TO BS EN 1176