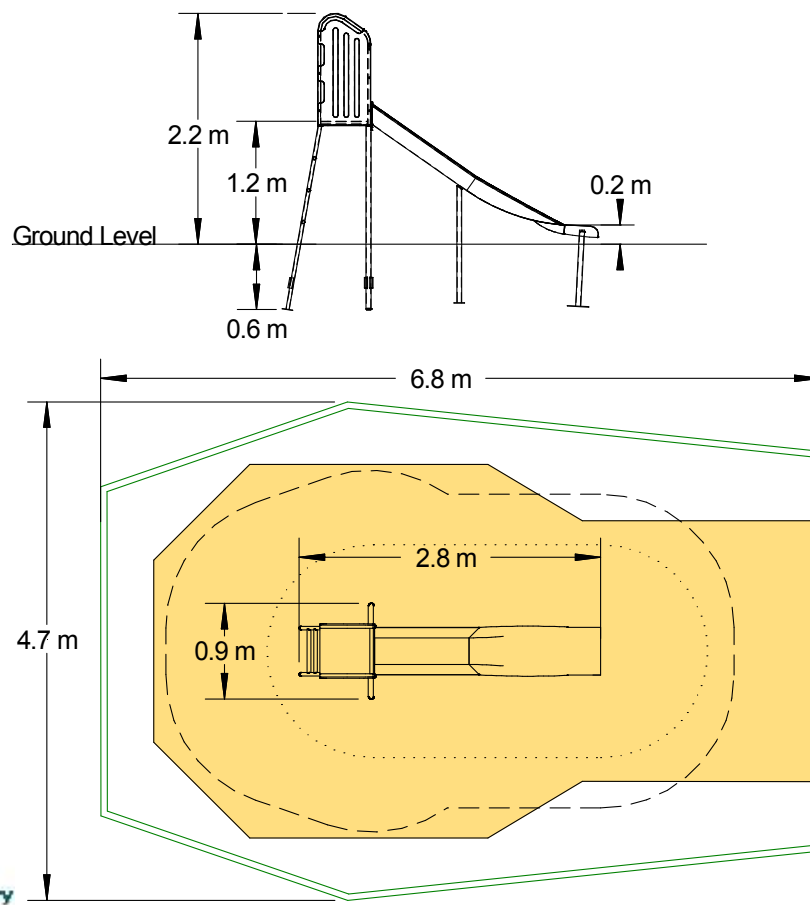


Traditional Play – Free Standing Slide (1.15m)



Technical Information

Equipment Dimensions

Length / Width / Height 2.8 x 0.9 x 2.2m

Surfacing and Area Required

Minimum Space Required L/W/H 6.8 x 4.7 x 3.4m

Max Gradient Of Ground 1:50

Free Height Of Fall 1.15m

Impact Area 18.16m²

Loosefill At 250mm 7m³

Bark / Cushionfall / Sand

Safagrass Tiles (1.0 x 1.5m tiles) 30m²

Installation Information

overall weight 92kg

heaviest part 31kg

largest part 1.8 x 0.1 x 0.4m

longest part 1.8m

concrete required 0.4m³

KITEMARKED TO BS EN 1176