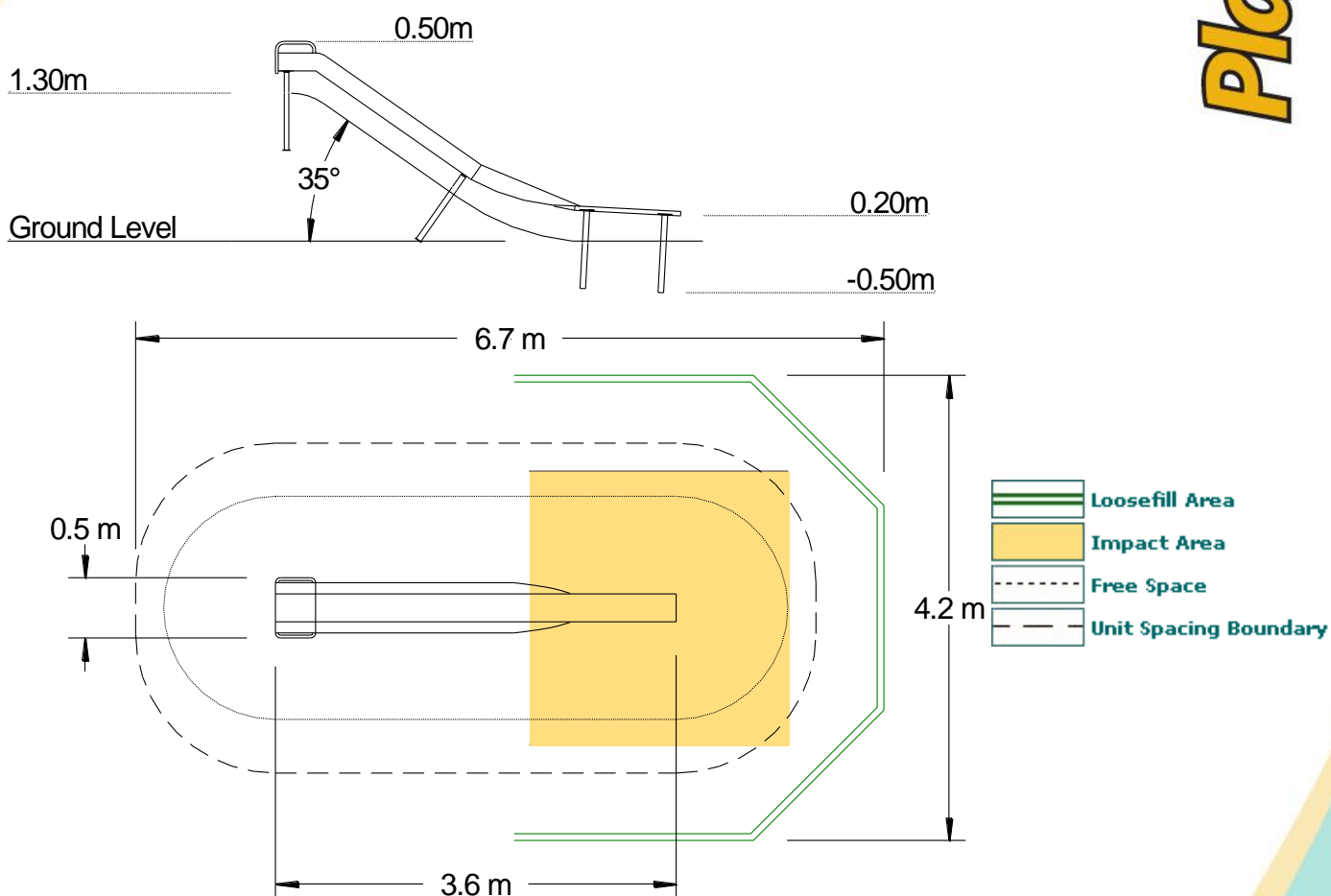


Traditional Play – Embankment Slide (1.3m)



Technical Information

Equipment Dimensions

Length / Width / Height **3.6m x 0.5m x 0.5m**

Surfacing And Area Required

Minimum Space Required L/W/H **6.7m x 4.2m x 2.8m**

Max Gradient Of Ground **35deg (1 in 1.4)**

Free Height Of Fall **1.0m**

Impact Area **5.67m²**

Loosefill At 250mm **3m³**

Bark / Cushionfall / Sand **9m²**

Grasslok Tiles **9m²**

Installation Information

Overall Weight **65kg**

Heaviest Part **50kg**

Largest Part **4.1m x 0.6m x 0.6m**

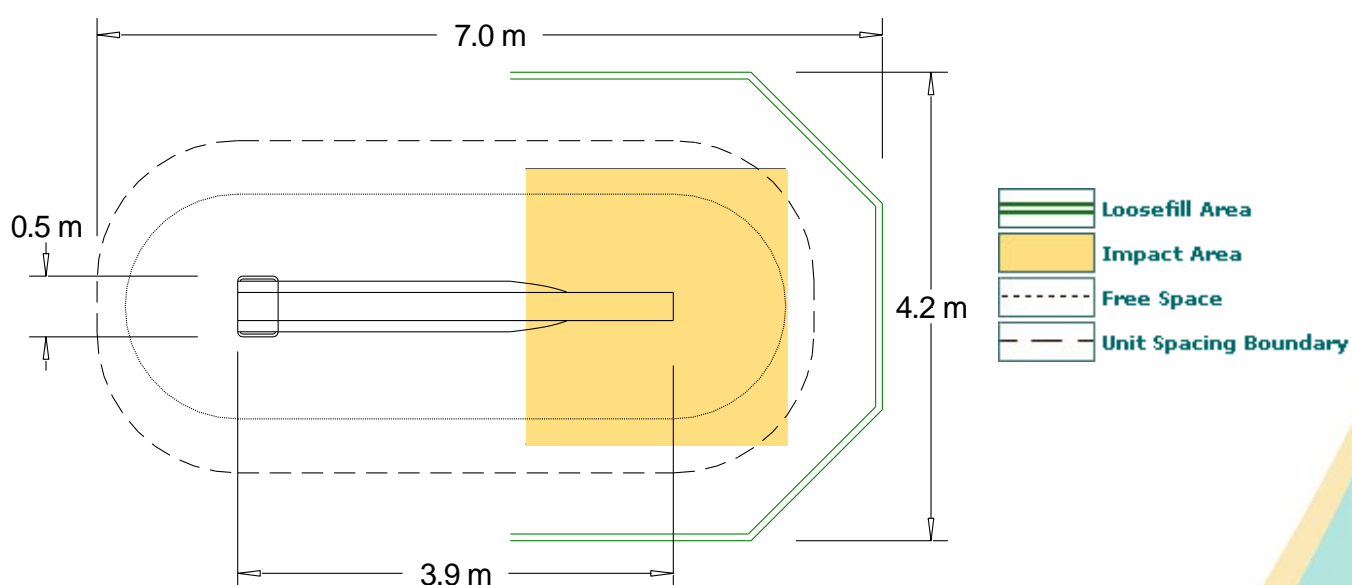
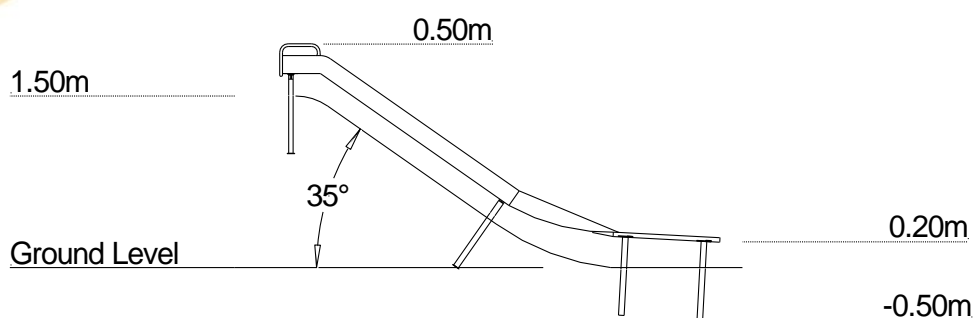
Longest Part **4.1m**

Concrete Required **0.1m³**



KITEMARKED TO BS EN 1176

Traditional Play – Embankment Slide (1.5m)



Technical Information

Equipment Dimensions

Length / Width / Height **3.9m x 0.5m x 0.5m**

Surfacing And Area Required

Minimum Space Required L/W/H **7.0m x 4.2m x 2.8m**

Max Gradient Of Ground **35deg (1 in 1.4)**

Free Height Of Fall **1.0m**

Impact Area **5.67m²**

Loosefill At 250mm **3m³**

Bark / Cushionfall / Sand

Grasslok Tiles **9m²**

Installation Information

Overall Weight **70kg**

Heaviest Part **55kg**

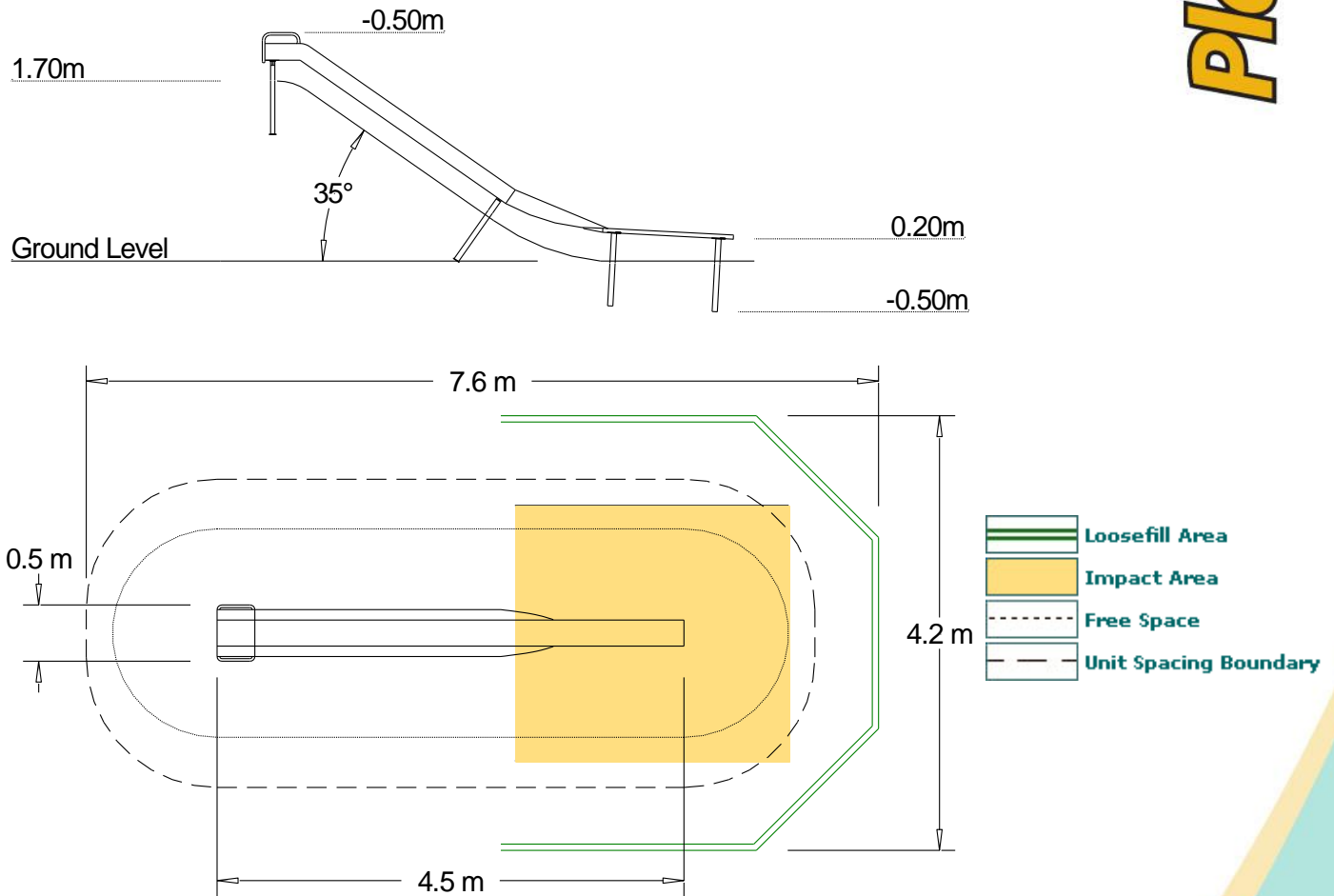
Largest Part **4.5m x 0.6m x 0.6m**

Longest Part **4.5m**

Concrete Required **0.1m³**

KITEMARKED TO BS EN 1176

Traditional Play – Embankment Slide (1.7m)



Technical Information

Equipment Dimensions

Length / Width / Height 4.5m x 0.5m x 0.5m

Surfacing and Area Required

Minimum Space Required L/W/H 7.6m x 4.2m x 2.8m

Max Gradient Of Ground 35deg (1 in 1.4)

Free Height Of Fall 1.0m

Impact Area 6.41m²

Loosefill At 150mm 4m³

Bark / Cushionfall / Sand

Grasslok Tiles 9m²

Installation Information

Overall Weight 75kg

Heaviest Part 60kg

Largest Part 5.0m x 0.8m x 0.6m

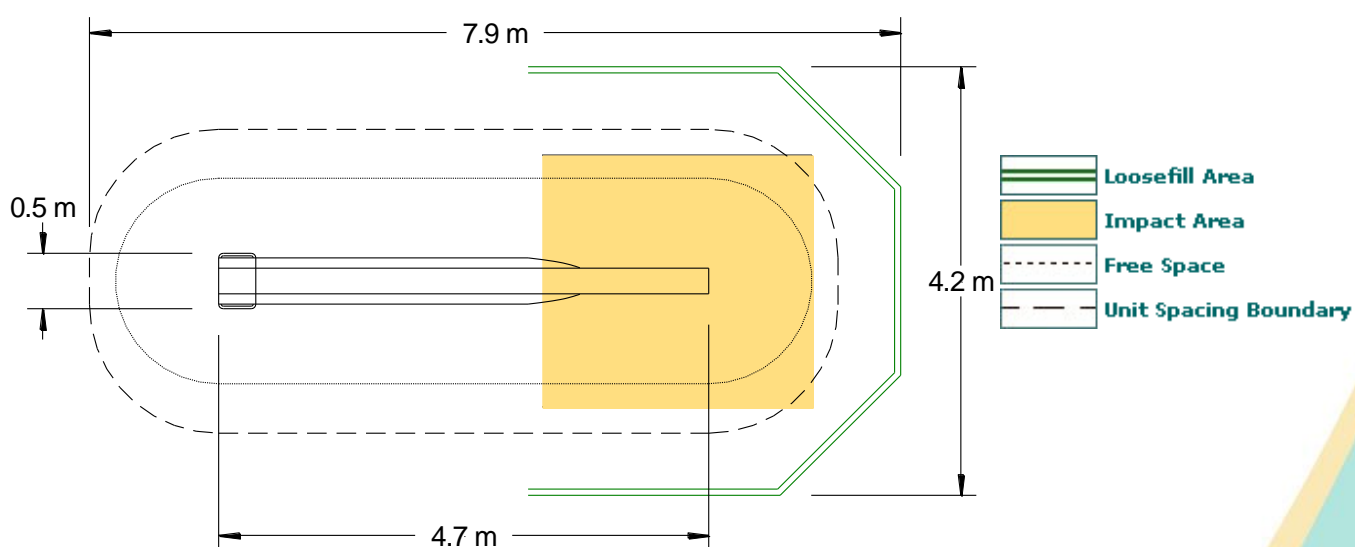
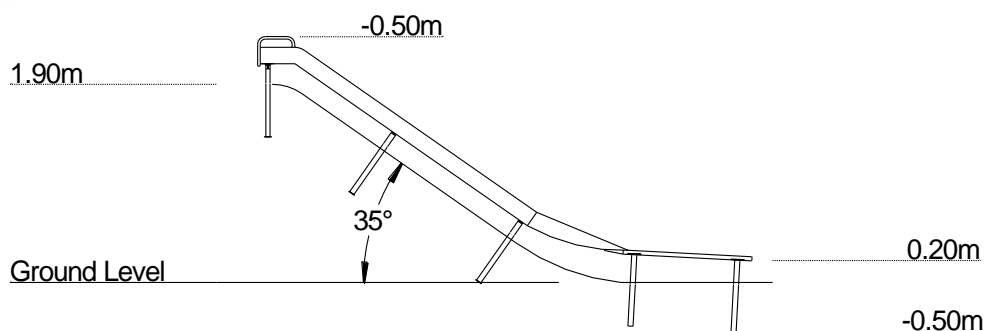
Longest Part 5.0m

Concrete Required 0.1m³



KITEMARKED TO BS EN 1176

Traditional Play – Embankment Slide (1.9m)



Technical Information

Equipment Dimensions

Length / Width / Height 4.7m x 0.5m x 0.5m

Surfacing and Area Required

Minimum Space Required L/W/H 7.9m x 4.2m x 2.8m

Max Gradient Of Ground 35deg (1 in 1.4)

Free Height Of Fall 1.0m

Impact Area 6.41m²

Loosefill At 150mm 4m³

Bark / Cushionfall / Sand

Grasslok Tiles 9m²

Installation Information

Overall Weight 80kg

Heaviest Part 65kg

Largest Part 5.4m x 0.8m x 0.6m

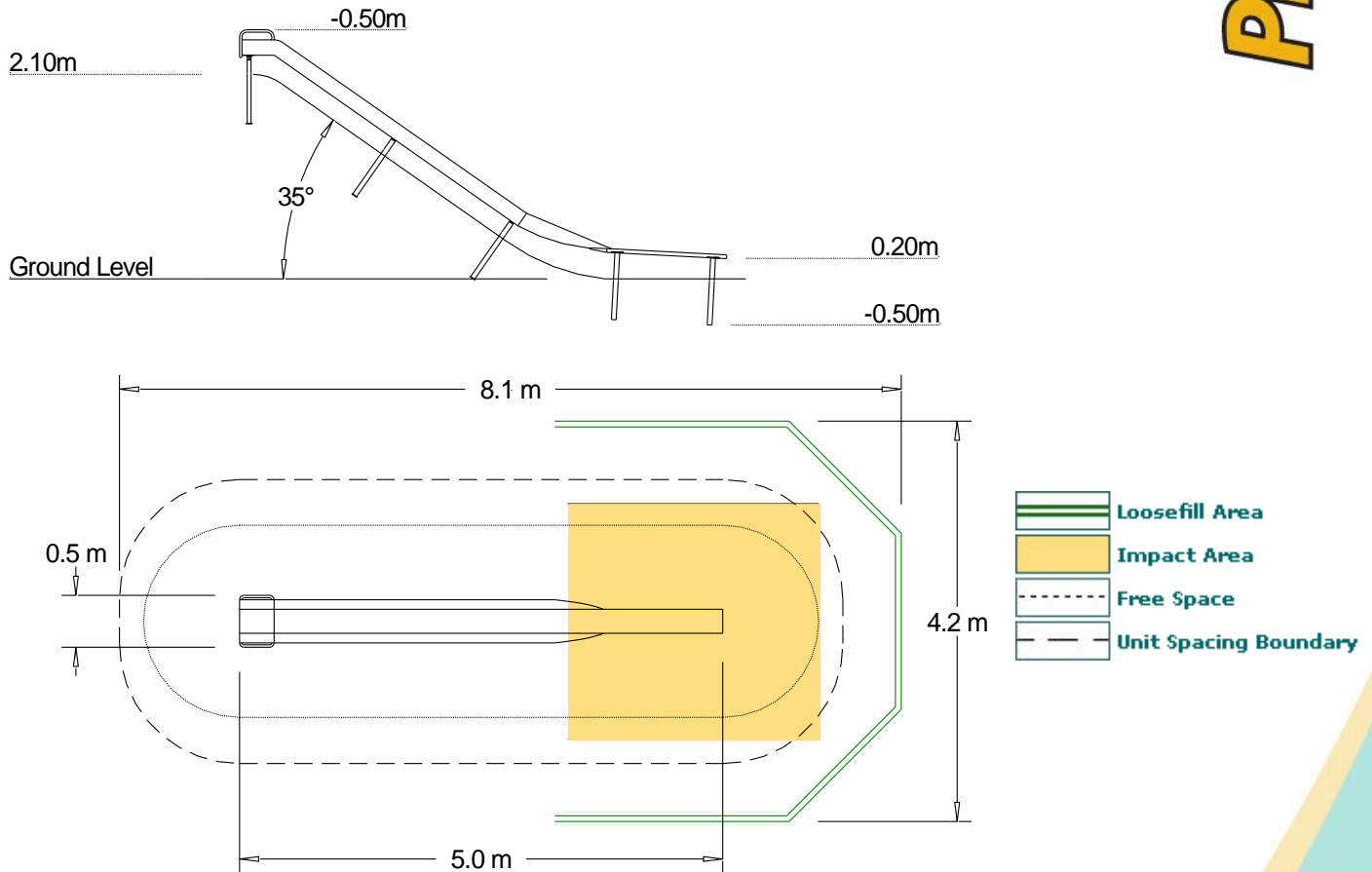
Longest Part 5.4m

Concrete Required 0.2m³



KITEMARKED TO BS EN 1176

Traditional Play – Embankment Slide (2.1m)



Technical Information

Equipment Dimensions

Length / Width / Height **5.0m x 0.5m x 0.5m**

Surfacing and Area Required

Minimum Space Required L/W/H **8.1m x 4.2m x 2.8m**

Max Gradient Of Ground **35deg (1 in 1.4)**

Free Height Of Fall **1.0m**

Impact Area **6.41m²**

Loosefill At 150mm **4m³**

Bark / Cushionfall / Sand

Grasslok Tiles **9m²**

Installation Information

Overall Weight **85kg**

Heaviest Part **70kg**

Largest Part **5.8m x 0.8m x 0.6m**

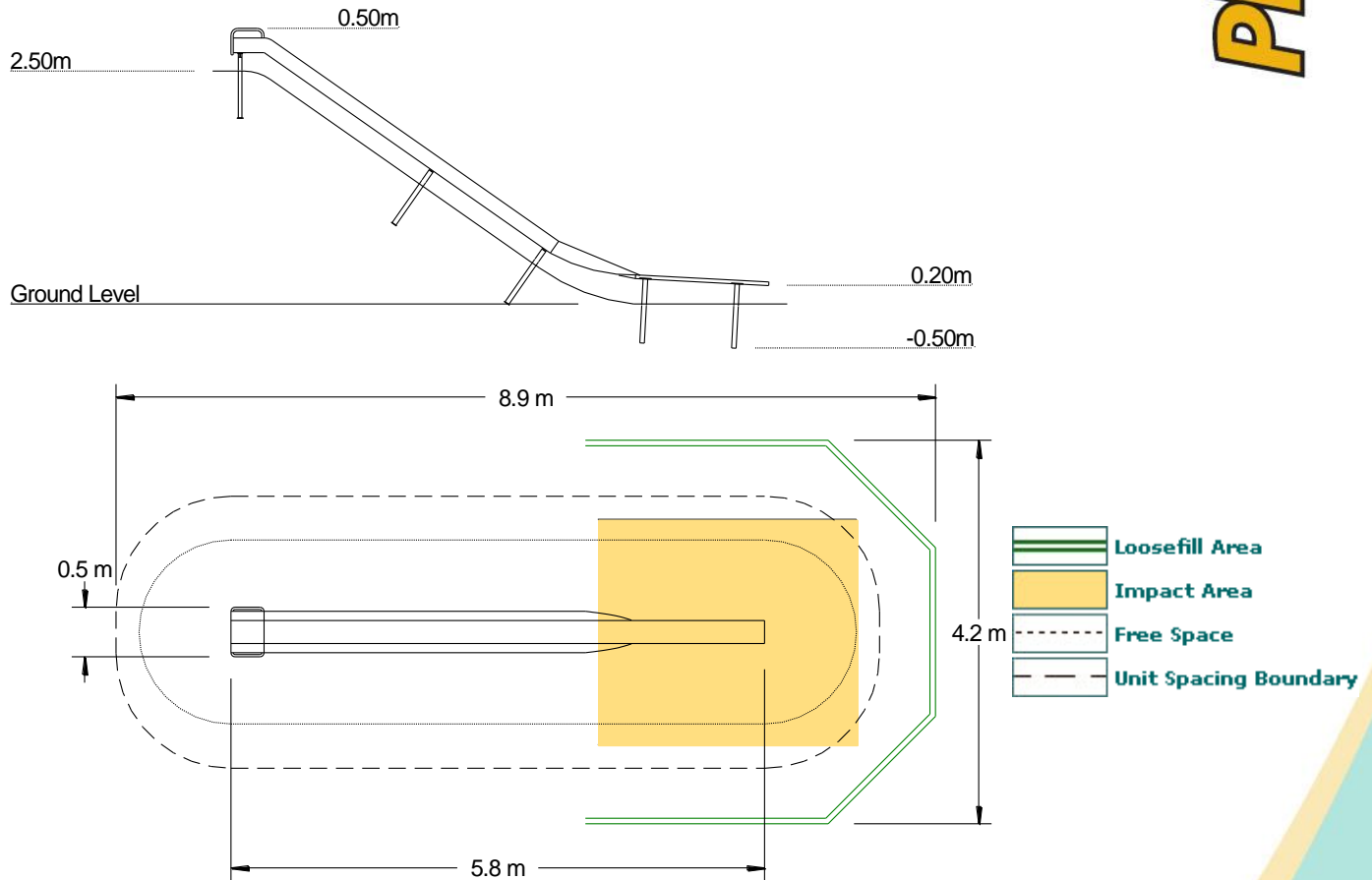
Longest Part **5.8m**

Concrete Required **0.2m³**



KITEMARKED TO BS EN 1176

Traditional Play – Embankment Slide (2.5m)



Technical Information

Equipment Dimensions

Length / Width / Height	5.8m x 0.5m x 0.5m
Surfacing and Area Required	
Minimum Space Required L/W/H	8.9m x 4.2m x 2.8m
Max Gradient of Ground	35deg (1 in 1.4)
Free Height of Fall	1.0m
Impact Area	6.90m ²
Loosefill at 250mm	4m ³
Bark / Cushionfall / Sand	
Grasslok Tiles	12m ²

Installation Information

Overall Weight	95kg
Heaviest Part	80kg
Largest Part	6.6m x 0.9m x 0.6m
Longest Part	6.6m
Concrete Required	0.2m ³



KITEMARKED TO BS EN 1176