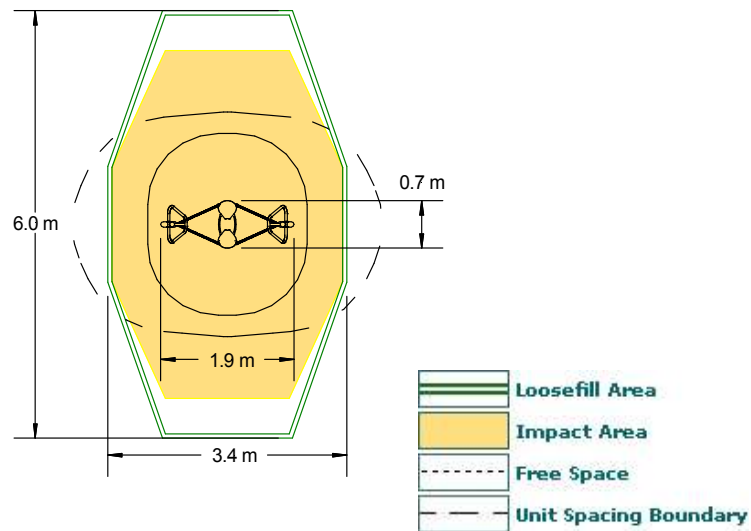
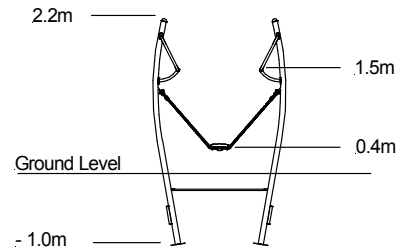


Movers – Air Rider



Technical Information

Equipment Dimensions

Length / Width / Height 1.9 x 0.7 x 2.2m

Surfacing and Area Required

Minimum Space Required L/W/H 3.4 x 6.0 x 3.4m

Max Gradient Of Ground 1in30

Free Height Of Fall 1.2m

Impact Area - Wetpour 13.49m²

Loosefill At 250mm 4m³

Bark / Cushionfall / Sand 24m²

Safagrass 24m²

Installation Information

overall weight 65 kg

heaviest part 20 kg

largest part 3.2 x 0.4 x 0.1m

longest part 3.2m

concrete required 0.5m³

KITEMARKED TO BS EN 1176