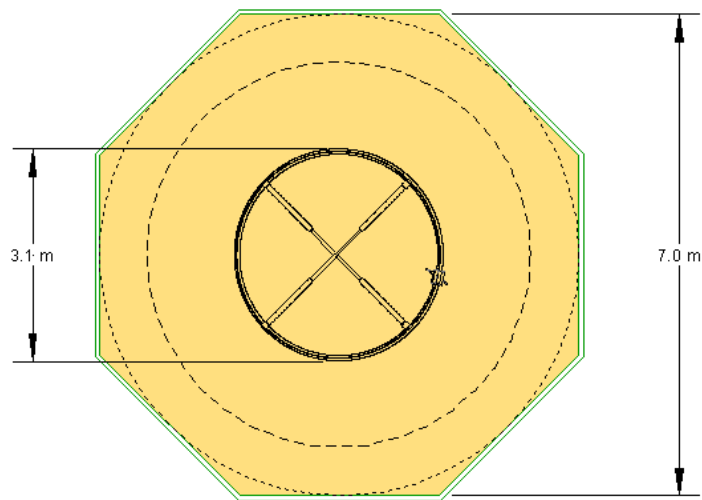
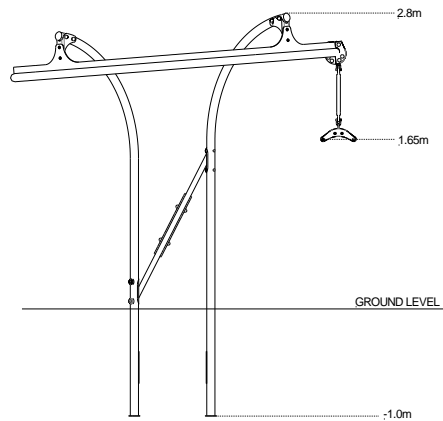


## Movers – Air Glider

Recommended Gradient (1in12 – 1in20)  
Acceptable Gradient (1in12 – Level)  
Max. Gradient 1in12



### Technical Information

#### Equipment Dimensions

Length / Width / Height 3.1 x 3.1 x 2.8m

#### Surfacing and Area Required

Minimum Space Required L/W/H 7.0 x 7.0 x 3.8m

Max Gradient of Ground 1in12

Free Height of Fall 1.0m

Impact Area 40.59m<sup>2</sup>

Loosefill at 250mm 11m<sup>3</sup>

Bark / Cushionfall / Sand 60m<sup>2</sup>

Grasslok Tiles 60m<sup>2</sup>

#### Installation Information

Overall Weight 220 kg

Heaviest Part 95 kg

Largest Part ø 3.1 x 0.4m

Longest Part 3.8 x 1.1 x 0.1m

Concrete Required 0.6m<sup>3</sup>

CONFORMS TO BS EN 1176